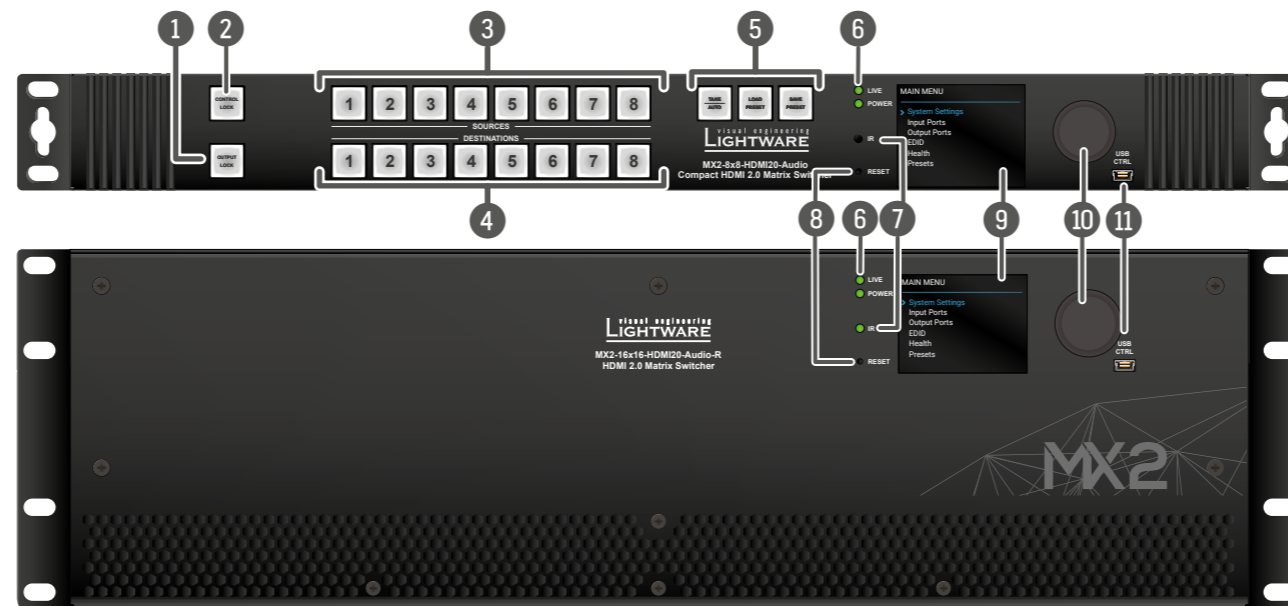




Quick Start Guide

MX2-8X8-HDMI20-AUDIO, -L
MX2-16x16-HDMI20, -R, -Audio, -Audio-R
MX2-24x24-HDMI20, -R, -Audio, -Audio-R

Front View of MX2-8X8-HDMI20-AUDIO and MX2-16x16-HDMI20-Audio-R



- 1 **Output Lock*** Locks one or more outputs.
- 2 **Control Lock*** Disables or enables front panel operations. Red light means the switching and function buttons are disabled.
- 3 **Sources*** Buttons to select an input, to select a preset number or to view the state of the selected input port.
- 4 **Destinations*** Buttons to select an output or to see the state of an output.
- 5 **Function Buttons*** Function buttons switch between working modes (Take / Autotake) and perform Preset operations.
- 6 **Status LEDs** Blinking LIVE LED indicates normal operation; POWER LED is dark in the case of an internal voltage problem.
- 7 **IR detector LED** Reserved for future developments.
- 8 **Reset Button** Reboots the matrix (the same as disconnecting from the power source and reconnecting again).
- 9 **Color Display** LCD screen shows the most important settings and parameters in the front panel menu.
- 10 **Jog Dial Control Knob** Easy setting and menu navigation by the jog dial control.
- 11 **USB Control** USB connector for local control functions (e.g. Lightware Device Controller software).

*In MX2-8X8-HDMI20-AUDIO, -L; MX2-16x16-HDMI20, -R; MX2-24x24-HDMI20, -R models.

Important Safety Instructions

Please read the supplied safety instruction document before using the product and keep it available for future reference.

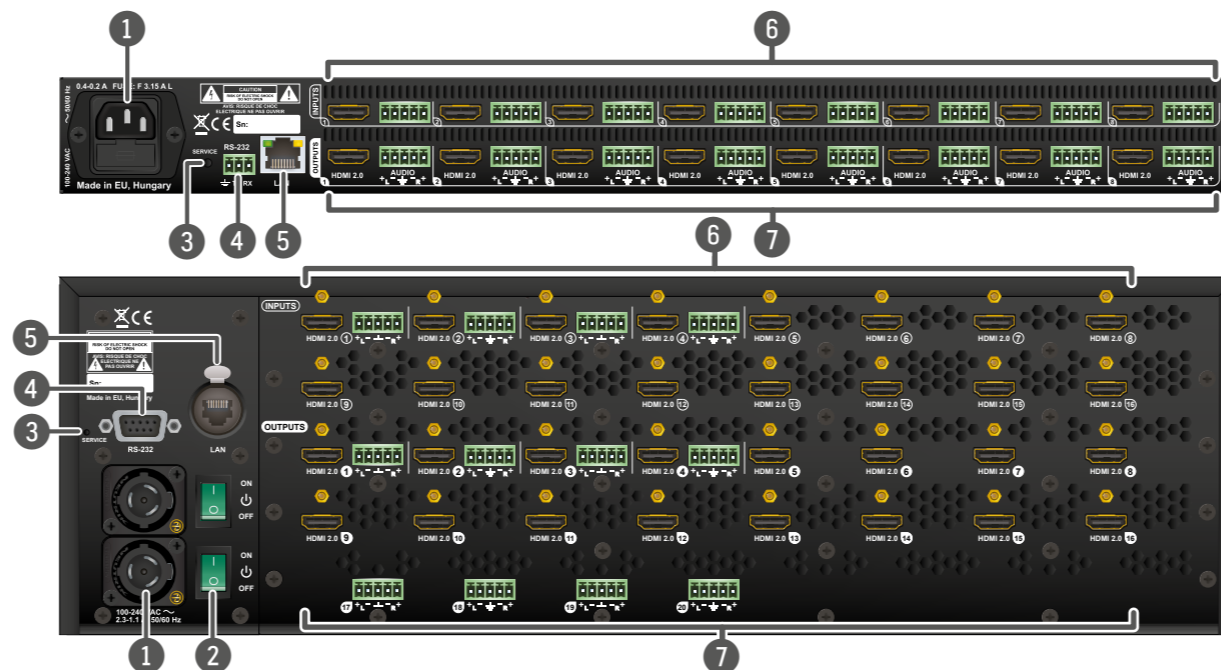
Introduction

The MX2-HDMI20 series is the Lightware HDMI 2.0 standalone matrix switcher family that supports uncompromised 4K UHD resolution at 60Hz 4:4:4. It has an outstanding port density that makes it particularly suitable for rental and fix install applications, as well as for future-proof operation centers. It is a perfect choice for installations where HDMI 2.0 compliant input and output ports are required.

Box Contents



Rear View of MX2-8X8-HDMI20-AUDIO and MX2-16x16-HDMI20-Audio-R



- 1 **AC Connector**
 - In the -R suffixed models: Neutrik powerCON connector accepting 100-240 V, 50 or 60 Hz.
 - Other models: Standard IEC connector accepting 100-240 V, 50 or 60 Hz.
- 2 **Power Switch** The matrix can be switched on/off by the power switch.
- 3 **Service Button** Hidden button for special operations.
- 4 **RS-232 Port**
 - In the -R suffixed models: 9-pole D-SUB connector.
 - Other models: 3-pole Phoenix connector.
- 5 **LAN**
 - In the -R suffixed models: Neutrik etherCON connector for Ethernet/LAN connection.
 - Other models: RJ45 connector to control the matrix via LAN/Ethernet.
- 6 **Input Ports**

HDMI input ports for sources.
Audio input ports (5-pole Phoenix) for balanced analog audio input signal (in **-Audio** suffixed models).
- 7 **Output Ports**

HDMI output ports for connecting sink devices.
Audio output ports (5-pole Phoenix) for balanced analog audio output signal. The signal is de-embedded from the given HDMI port (in **-Audio** suffixed models).

There are four additional audio outputs in the MX2-16x16-HDMI20-Audio and MX2-16x16-HDMI20-Audio-R models.

Powering On

Connect the power cords to the AC input of the Power Supply Units (PSU).

- The MX2-8X8-HDMI20 models are immediately powered on. After the self-test (about 20 seconds), the router reloads its last configuration and it is ready to use.
- The MX2-16x16-HDMI20 and MX2-24x24-HDMI20 models are assembled with a power button. After switching the power switch to the **ON** position, the router starts up. If the mains' switch is in the **ON** position, then the matrix starts up immediately when the power cord is connected to the AC source. During the initial self-test and loading of the latest settings, **The matrix is about to start** text appears on the LCD screen and the router reloads its last configuration.

i After switching ON, the router reloads the latest settings that were used before it was switched off. The router has an internal emergency memory that stores all current settings and the configurations.

Redundant Power Supplies

The **-R** suffix in the model name shows that the model has redundant PSUs which can be switched on and off without interrupting the video transmission. Using one or both of the PSUs at the same time is also possible.

The double PSU allows to connect them for two different AC power lines to ensure the continuous power for the matrix.



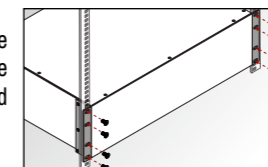
Mounting Options

⚠ M4x8 size is the longest allowed screw for fixing the ears to the housing. Longer screw may touch internal parts.

Mounting as a Standard Rack Installation - with front rack ears

i All models can be mount into the rack cabinet.

Two rack ears are supplied with the product, which are fixed on left and right side as shown in the picture. The default position allows mounting the device as a standard rack unit installation.

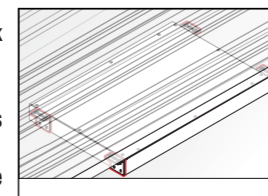


Under-desk Mounting - with front and rear rack ears

i Under-desk mounting is available for MX2-8X8-HDMI20-AUDIO, -L models.

Please do the following steps:

1. Release and remove the fixing screws of both rack ears on the matrix.
2. Rotate the rack ears by 90° to the desired direction.
3. Insert the screws into the holes and fix the front ears to the matrix.
4. Fix the two other rear ears (not supplied with the product) by the screws on both sides.
5. Fix the matrix by the rack ears to the desired surface (screws not supplied).



i Two rack ears are supplied with the product; further rack ears can be purchased separately.

Further Information

The document is valid with the following firmware version: 1.3.0
The User's manual of this appliance is available at www.lightware.com.
See the [Downloads](#) section on the dedicated product page.

Contact Us
sales@lightware.com
+36 1 255 3800

support@lightware.com
+36 1 255 3810

Lightware Visual Engineering LLC.
Péterdy 15, Budapest H-1071, Hungary

Doc. ver.: 1.1
19200090

¹ 1 pc for MX2-8X8-HDMI20-AUDIO, -L; MX2-16x16-HDMI20, -Audio, MX2-24x24-HDMI20, -Audio.

² 2 pcs MX2-16x16-HDMI20-R, -Audio-R; MX2-24x24-HDMI20-R, -Audio-R

³ 1 pc for MX2-8X8-HDMI20-AUDIO, -L; MX2-16x16-HDMI20, -Audio; MX2-24x24-HDMI20, -Audio.

⁴ 16 pcs for MX2-8X8-HDMI20-AUDIO, -L;
12 pcs for MX2-16x16-HDMI20-Audio, -Audio-R;
16 pcs for MX2-24x24-HDMI20-Audio, -Audio-R

Front Panel Operations

Press and hold the Take button for two seconds to change between Take and Autotake modes. When the Take button continuously illuminates green, Autotake mode is selected.

Switching and Locking Operations in AUTOTAKE Mode

Autotake mode is useful when immediate actions must be taken or fast switching is needed between sources on a particular destination. In this mode switching occurs immediately upon pressing one of the input selector buttons.



| | | |
|----------------------|--------------------------------------------------------------------------------------------------------------------------------------------------------------------------------------------------------------------------------------|--|
| Switching Operations | 1. Press and release the desired destination button . The pressed destination button and the actually connected source button light up green. If no source is connected (the output is muted) no source button will light up. | |
| | 2. Press and release the desired source button . The switch action will be executed immediately. Switching between sources to the selected destination can be done directly. | |
| Locking an Output | 1. Press and release the required destination button . Now the selected destination button and the currently configured source button light up (view mode). | |
| | 2. Press and release the Output Lock button; it lights up in red, and lock function is activated at once. No source can be changed at the locked destination. | |

Switching and Locking Operations in TAKE Mode

Take mode allows the user to connect or disconnect multiple outputs to an input at once. This mode is useful when time delay is not allowed between multiple switching. The commands are only realized when the **Take** button is pressed.



| | | |
|----------------------|---------------------------------------------------------------------------------------------------------------------------------------------------------------------------|--|
| Switching Operations | 1. First press and release the desired source button . The pressed source button and all destination buttons which are currently connected to the source light up. | |
| | 2. Press and release the desired destination buttons which have to be (dis)connected from/to the selected source. The preselected destination buttons will blink. | |
| | 3. Press and release the Take button. The selected input is switched to the selected output(s). | |
| Locking an Output | 1. Press and release the Output Lock button. It starts to blink and all the buttons of any locked destinations light up (view state). | |
| | 2. Press and release a destination button . It starts to blink (more destinations can be selected sequentially). | |
| | 3. Press and release the Take button. The selected destinations are now locked. | |

Control Lock

If the button illuminates in **red** the switching and function buttons, and the jog dial control knob are disabled. Press and hold the **Control lock** button for three seconds to toggle the state.

ⓘ When the front panel buttons are locked, remote control (RS-232, USB, Ethernet) is still available.

Software Control – Using Lightware Device Controller (LDC)

The device can be controlled from a computer using the Lightware Device Controller software. The application is available at www.lightware.com (Support / Downloads section), install it on a Windows PC or a macOS and connect to the device via LAN, USB, or RS-232.

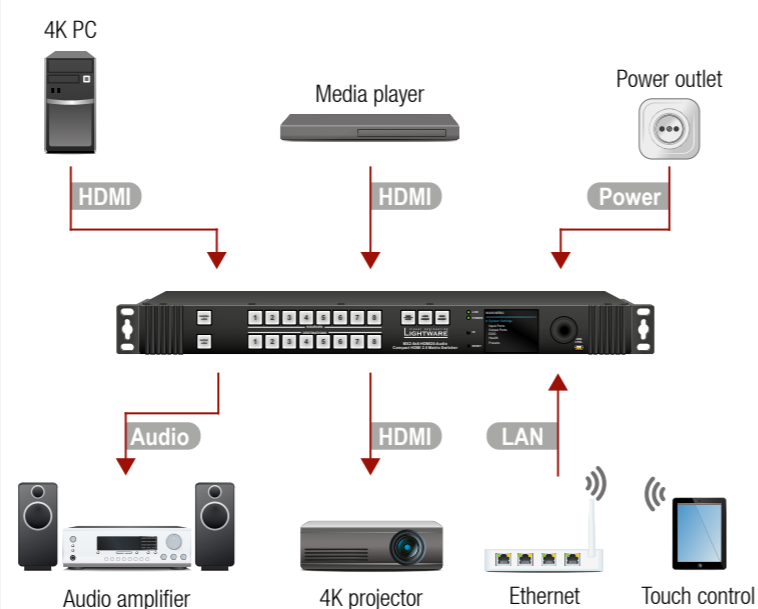


Software Control – Built-in Web

The built-in website of the matrix allows to connect and control the matrix via a web browser. Open a web browser (Mozilla Firefox or Google Chrome is recommended) and connect the device by writing the IP address of the matrix into the address bar.

The built-in web and Lightware Device Controller Software has the same look and functionality.

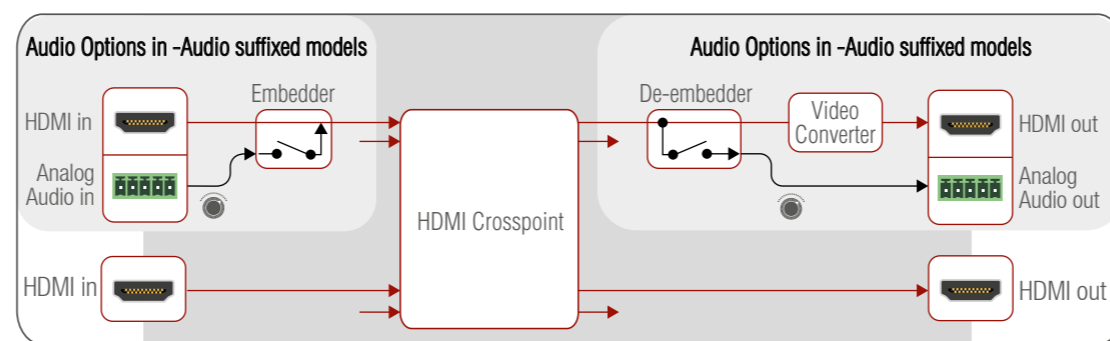
Connecting Steps - MX2-8X8-HDMI20-AUDIO



- HDMI** Connect the desired source to an **HDMI input** port.
- Audio** Optionally connect an audio source to the **Audio input** port which is located next to the connected HDMI input port.
- HDMI** Connect a sink device to an **HDMI output** port.
- Audio** Optionally connect an audio device (e.g. amplifier) to the **Phoenix Audio output** port which is located next to the connected HDMI output port.
- LAN** In order to control the matrix via Ethernet, connect the device to a LAN switch/router, and connect a controller (e.g. Touch panel).
- Power** Connect the power cord to the AC power socket and to the matrix.

ⓘ Always use high-quality HDMI cables for connecting sources and displays.

Port Diagram



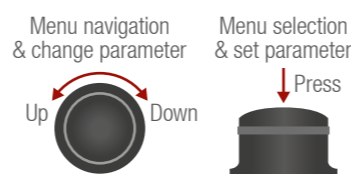
Analog Audio Options

The **-Audio** suffix in the model name refers to the analog audio option. An external audio signal can be embedded in the HDMI stream by the Analog Audio input port. In this case the audio from the analog input port is converted and embedded in the HDMI stream. Furthermore, the Analog audio output ports allow to de-embed the audio of the HDMI output stream.

ⓘ Please note that only stereo LPCM can be de-embedded from the HDMI signal.

LCD Menu and Navigation

The front panel has a color LCD showing the most important settings and parameters. The jog dial control knob can be used to navigate between the menu items or change the value of a parameter. The knob can be pressed to enter a menu or edit/set a parameter.



Network Settings

The TCP/IP settings of the matrix are available in the front panel menu. The desired network parameters can be set as follows:

- Navigate to the **System Settings / Network / DHCP** and press the **knob** to enter.
- Select the desired option:
 - To get a **dynamic IP** address set the parameter to **Enabled** by the **jog dial**. Press the **knob** to store and step back to the previous menu.
 - To get a **static IP** address set the parameter to **Disabled** by the **jog dial**. Press the **knob** to set and step back to the previous menu.
- Select the **Save** option to apply the new setting.
- To set the desired **static IP address**, please do the following:
 - Select the **Static IP**, **Static Subnet**, and **Static Gateway** parameters from the **System Settings / Network** submenu and press the **knob** to enter.
 - Use the **jog dial** to move between the octets, press the **knob** to edit and use the **jog dial** to change the value. Press the **knob** to store the new value.
 - When all parameters are set select the **Save** in the **Network** menu to apply changes.

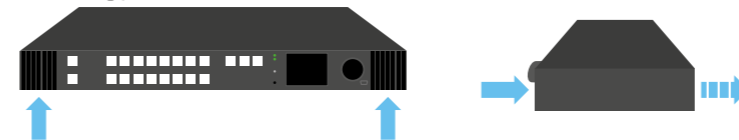
Factory Default Settings

| | |
|--------------------------------------|-------------------------------------------------------|
| IP address | Dynamic (DHCP is enabled) |
| RS-232 port setting | 57600 BAUD |
| RS-232 port control protocol | LW3 protocol |
| Crosspoint setting | I1 to all |
| HDCP on input/output | Allow HDCP 2.2 and HDCP 1.4 / Depends on input |
| Conversion mode | Passthrough |
| Signal type | Auto |
| Emulated EDID | F49 - (Universal HDMI, all audio, deep color support) |
| EDID memory storage | 144 factory / 100 User memory slots |
| Audio source | HDMI |
| Audio mode (HDMI out) | HDMI |
| Audio mode (Analog audio out) | HDMI+ANALOG |

Ventilation

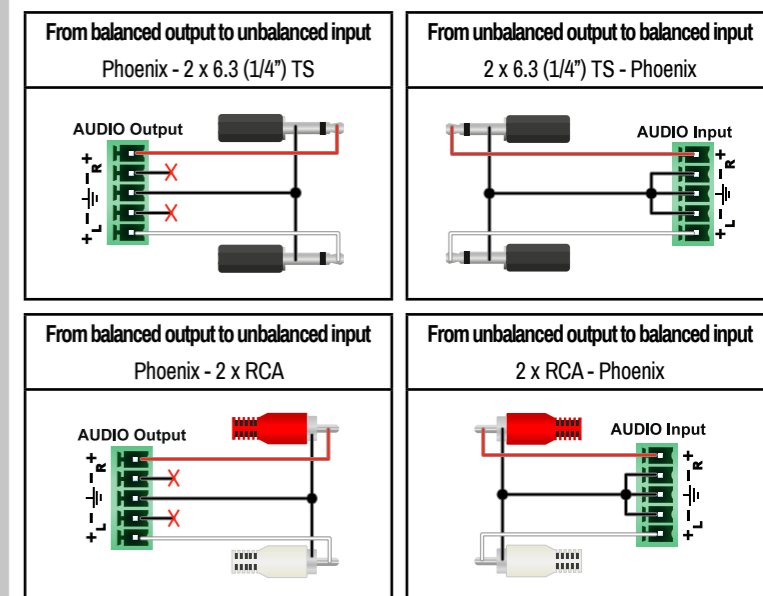
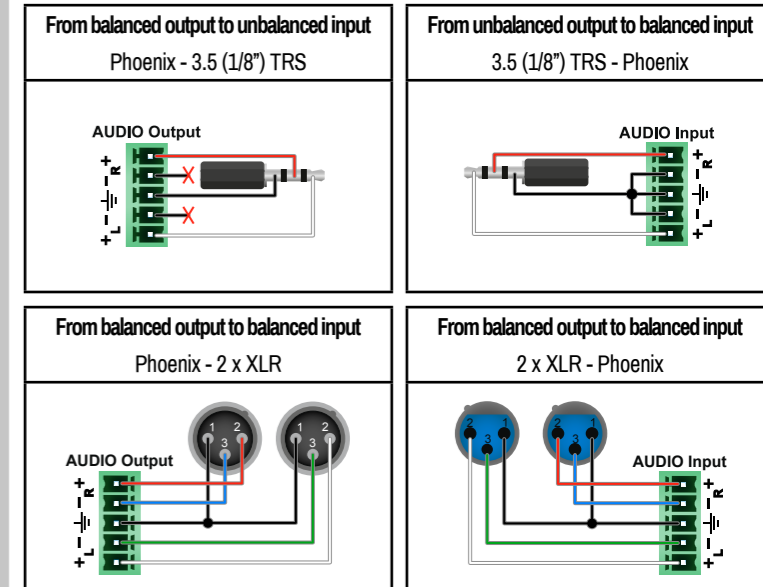
⚠ To ensure the correct ventilation and avoid overheating let enough free space around the appliance. Do not cover the appliance, let the ventilation holes free.

The following pictures show the direction of the airflow:



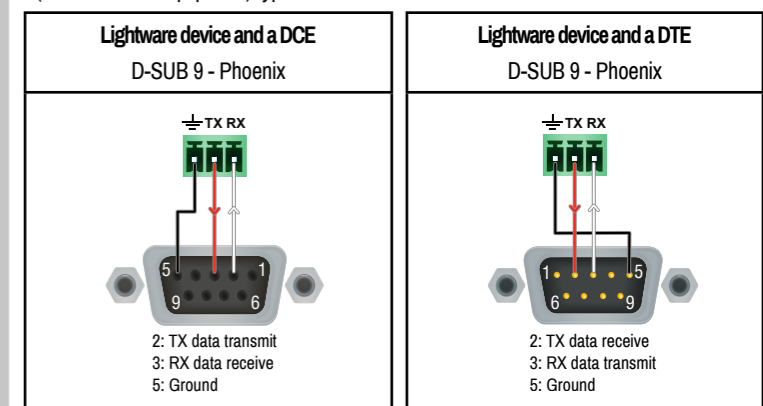
Audio Cable Wiring Guide

The MX2-HDMI20-Audio series matrix switchers are built with 5-pole Phoenix input and output connectors. See below a few example of the most common assembling cases.



Wiring Guide for RS-232 Data Transmission

The MX2-HDMI20 series matrix switchers are built with 3-pole Phoenix connector. See the below examples of connecting to a DCE (Data Circuit-terminating Equipment) or a DTE (Data Terminal Equipment) type device:



For more information about the cable wiring see the user's manual of the device or **Cable Wiring Guide** on our website www.lightware.com/support/guides-and-white-papers.